

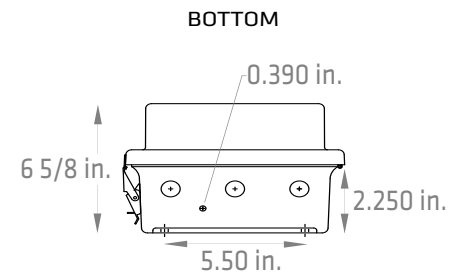
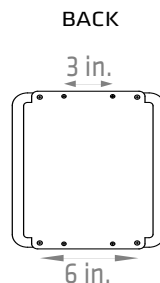
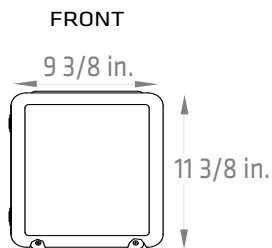
Fiberglass pole-mounted cabinet

Lightweight, durable, and low-cost, the Click fiberglass cabinet is ideal for use in a traffic detection installation. This cabinet offers unobstructed sidewalls, built-in mounting capabilities, strength characteristics, and depth of cover.

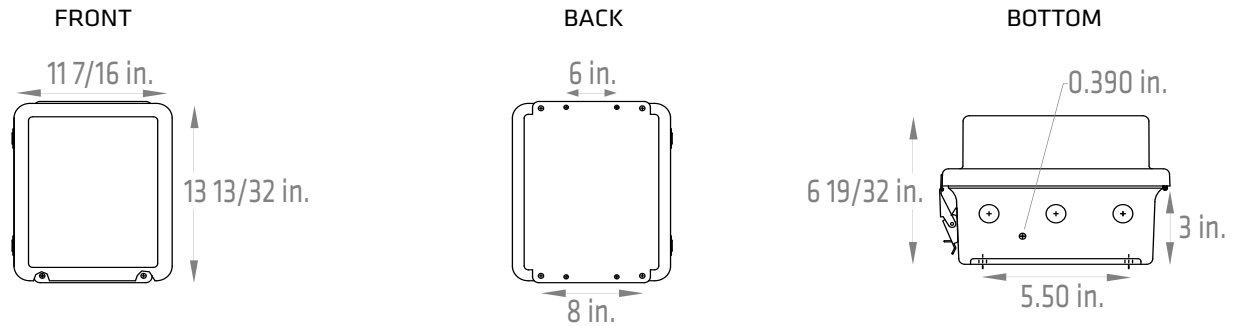


- Solidly constructed
- Chemical- and UV-resistant through use of SolarGuard™ technology
- Compression-molded fiberglass-reinforced polyester
- Overhang cover on smooth-sided base
- Stainless steel latches, screws, and full-length hinge
- Seamless polyurethane door gasket
- Padlock latch for quick entry
- NEMA 3R/4X
- UL listed
- Lightweight
- Raised cover for additional depth
- Optional cable grips provide a water-tight and weatherproof entry for running cables into the cabinet
- Integrated mounting flange
- **Ships with backplate and mounting brackets**
- 180° door opening
- Two latches: hinged lock latch and hinged padlock latch

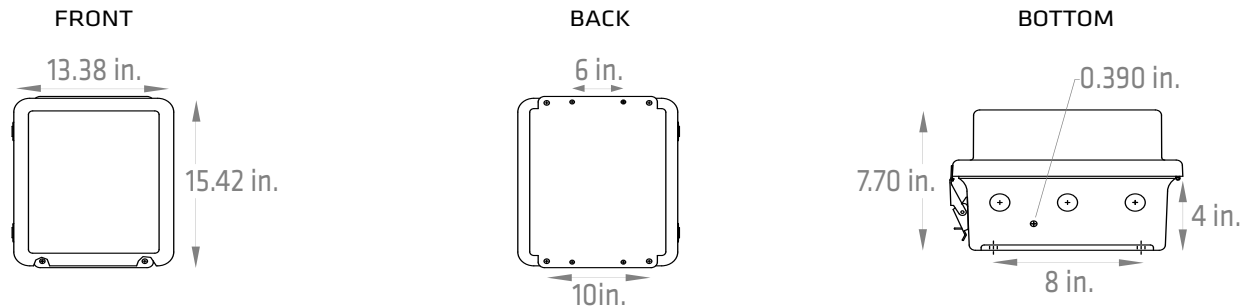
C10 fiberglass cabinet



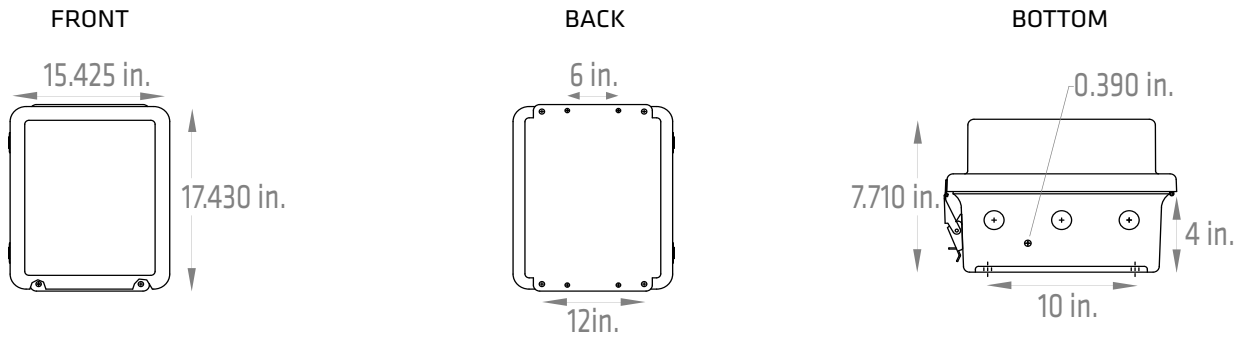
C12 fiberglass cabinet



C14 fiberglass cabinet



C16 fiberglass cabinet



C18 fiberglass cabinet

