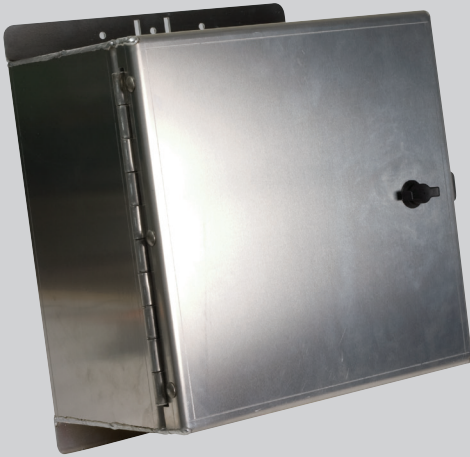


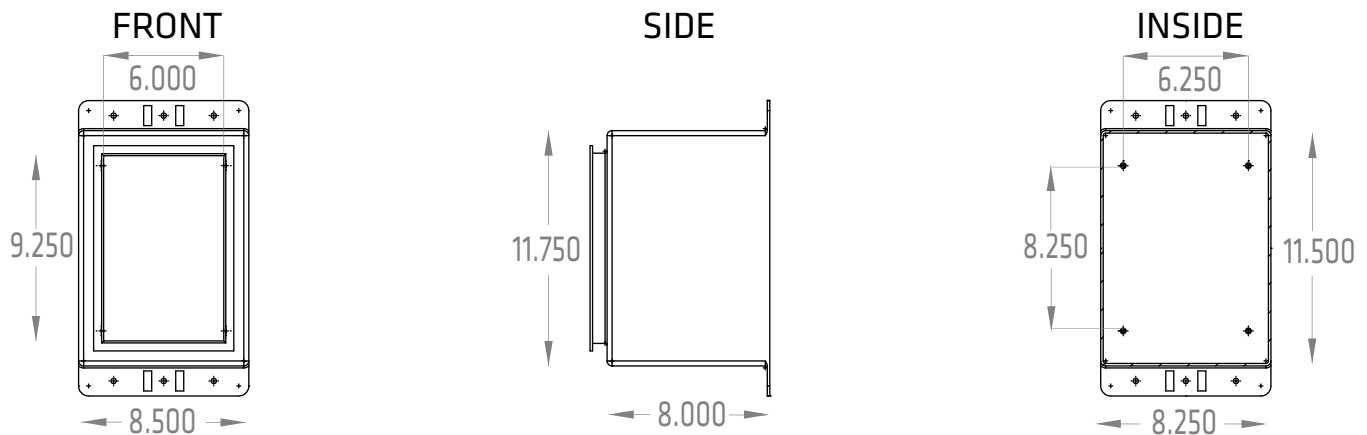
Aluminum pole-mounted cabinet

The Click aluminum cabinet is sturdy, durable, and secure, making it ideal for use in a traffic detection installation in an area where tampering may be an issue. This cabinet offers built-in mounting capabilities, strength characteristics, and three different locking options.

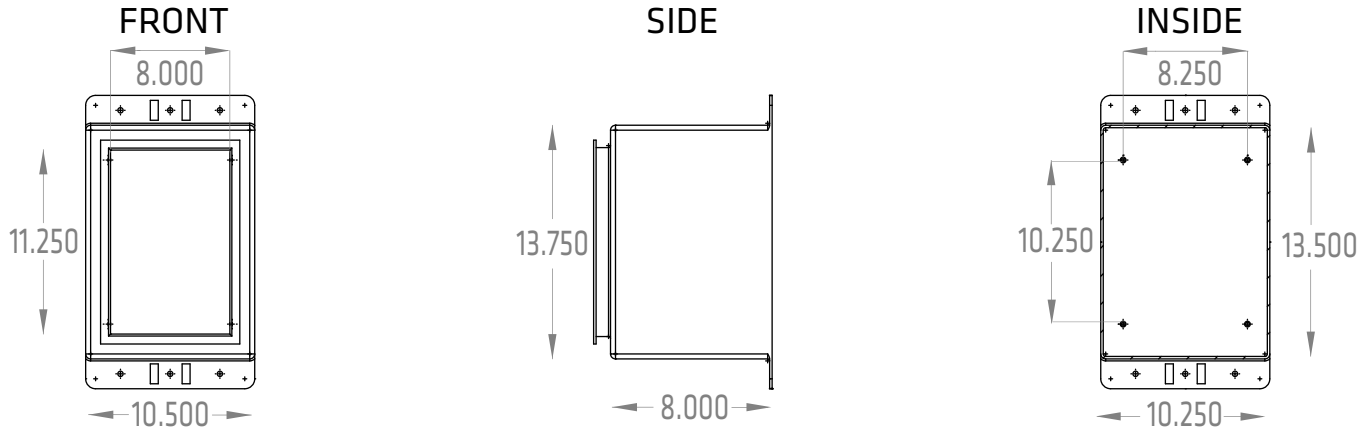


- Solidly constructed of 0.125 in. (0.3175 cm)-thick aluminum alloy, type 5052-H32
- Full-length stainless hinge with stainless steel pin attached with stainless steel carriage bolts
- Natural aluminum cabinets are mill finished
- Closed-cell neoprene door gasket
- Double-flanged door opening on all four sides to increase strength of door opening and to prevent dust and liquids from dropping into the cabinet
- Integrated mounting flange
- 180° door opening
- Standard door lock available in ¼-turn latch, Corbin #2, or skeleton key
- NEMA 3R
- UL listed
- Ships with backplate and mounting brackets
- All exterior seams are continuously welded

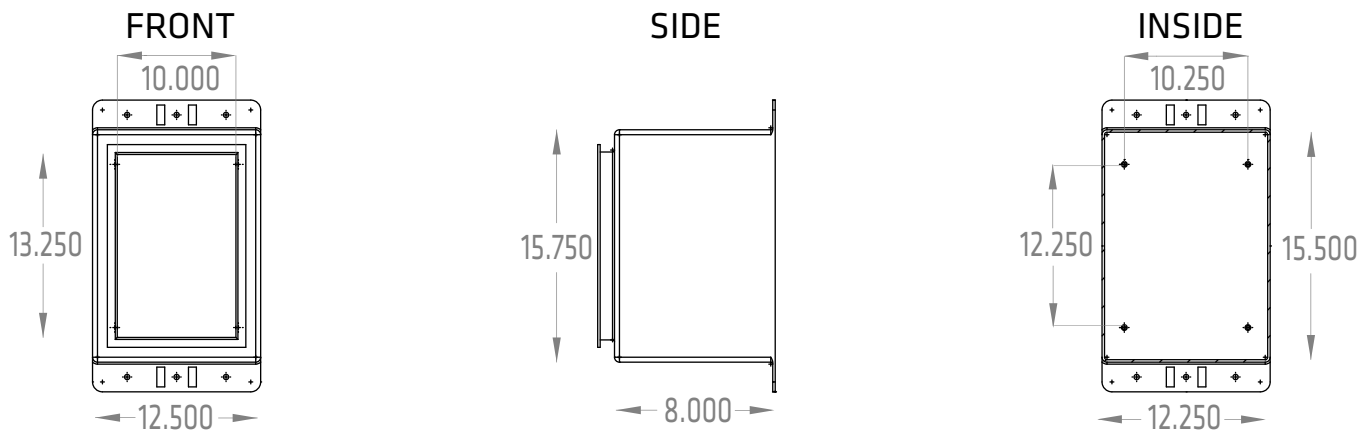
C10 aluminum cabinet



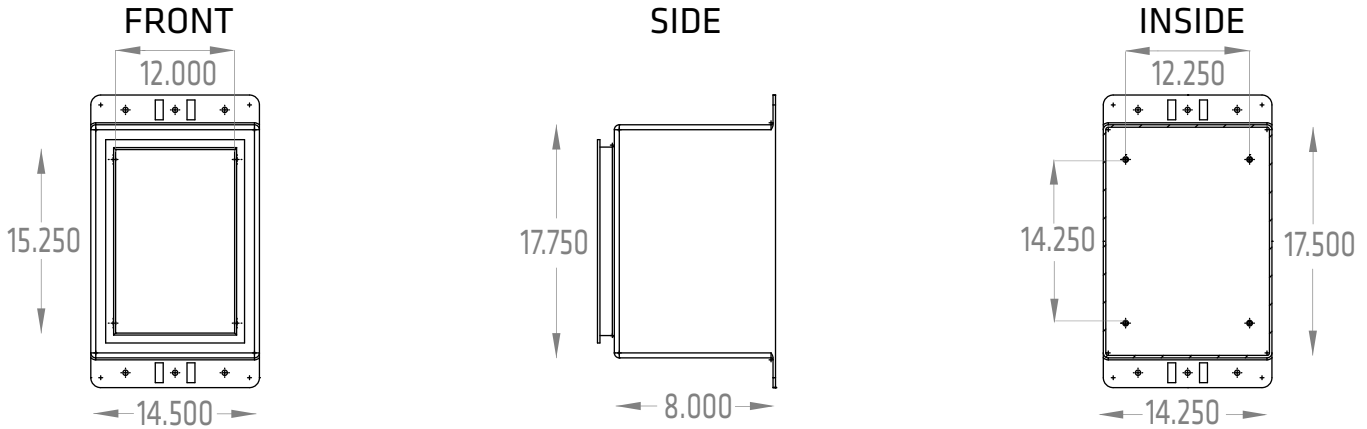
C12 aluminum cabinet



C14 aluminum cabinet



C16 aluminum cabinet



C18 aluminum cabinet

