

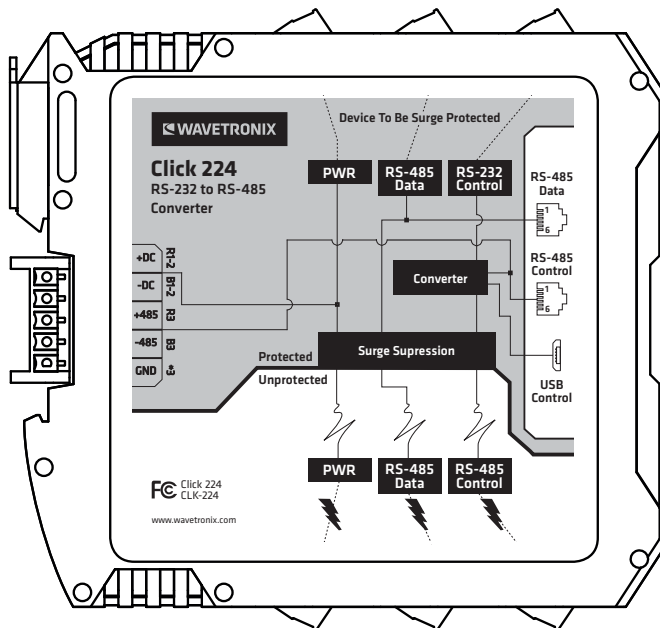
## Dual RS-485 converter and surge protector for SmartSensor HD

The Click 224 allows you to use an extended cable run on a SmartSensor HD by converting its RS-232 channel to RS-485 at the sensor. The Click 224 also protects the sensor from electrical surges.



- Increases the cable reach of the SmartSensor HD
  - Dual half-duplex communication channels
    - Data channel: RS-485
  - Multi-stage surge protection for RS-485 and DC power
  - Low capacitance RS-485 protection
  - Protects traffic monitoring devices and traffic cabinets
  - DIN rail-mountable for easy installation
  - Convenient, hot-swappable power communication buses
  - Conformal coated
- Pluggable screw terminals minimize problems caused by incorrect wiring
  - LEDs indicate power, surge protection status, and data transmission/receipt
  - Complies with FCC and CE standards
  - Complies with NEMA TS2-2003 environmental testing
  - Complies with IEC/EN 61000-4-5 level 4

**TOP**



**FRONT**

