

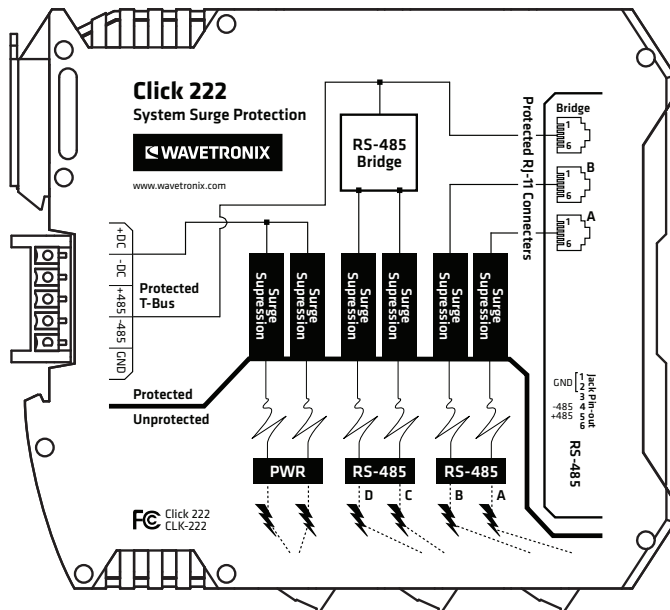
System surge protector

The Click 222 system surge protection device is designed to prevent electrical surges conducted along underground cables from damaging the cabinet equipment. The device features a control bridge that connects independent RS-485 buses, eliminating communication problems caused by star networks.



- Multi-stage surge protection for RS-485 and DC power
 - Low capacitance RS-485 protection
 - Protects traffic monitoring devices and traffic cabinets
 - Designed for use with all Click devices
 - DIN rail–mounted for easy installation
 - Convenient, hot-swappable power and communication buses
 - Features independent RS-485 buses for better communication
 - Complies with IEC/EN 61000-4-5 level 4
 - Conformal coated
- Pluggable screw terminals minimize problems caused by incorrect wiring
 - LEDs indicate power, surge protection status, and data transmission/receipt
 - Complies with NEMA TS2-2003 environmental testing

TOP



FRONT

